

AIDC with the Greatest of Ease!



Zynergy Blade Reader™

AEROSPACE TURBINE FAN BLADE DATA MATRIX READER

- Ease of use
- Industry compliant
- Ease of installation
- Complete solution
- Reads most ECC 200 compliant marks in <1 second
- No damage to fan blade
- Shop-floor ready
- Ideal for high-volume applications

Fully Automated

Zynergy Solutions' Blade Reader is a complete turnkey solution designed for the demanding task of Automatic Identification and Data Capture (AIDC) of low-contrast Data Matrix marks on aerospace turbine fan blades. The Blade Reader incorporates the latest machine vision hardware, software and LED lighting to ensure consistent reading performance for the most demanding identification applications.

THE RIGHT SOLUTION FOR YOU

FEATURES	BENEFITS
Automated 2-D direct part mark reader	Ease of use
Capable of reading low contrast dot peen 2-D marks	Industry compliant
Turnkey all-in-one configuration	Ease of installation
Camera, lighting and software in one unit	Complete solution
Fiberglass industrial enclosure	No damage to fan blade Shop-floor ready
Designed for aerospace turbine fan blades	Tailored solution
Trigger-to-result reads in <1 second	Ideal for high-volume applications

Fully Loaded

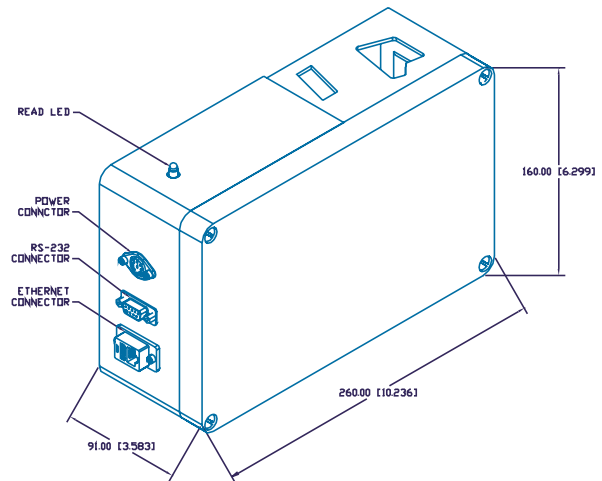
The Blade Reader has been designed as an all-in-one unit to encompass all of the components required to successfully decode 2-D Data Matrix marks with as little as 10% surface contrast. This all-in-one solution specifically targets the task of identifying aerospace turbine fan blades in a high-volume production environment. The Zynergy Blade Reader is housed in a fiberglass enclosure and is designed to withstand the rigors of high-volume shop floor use. The unit's vision-sensor based technology and software ensure trigger-to-result read rates of under 1 second for most ATA Spec. 2000, ECC 200 compliant marks. The Reader is equipped with an LED indicator that notifies the operator upon a successful read. The unit is capable of outputting the ASCII text string over an Ethernet or RS-232 connection and can be interfaced with industry standard decode wedges for data collection to the host PC or data terminal. The Reader comes with all software preloaded and tested along with all required power, I/O and communication cables.

Fully Trained

Zynergy Solutions also has application engineering support programs available to assist end users with the installation, setup and training associated with the use of the Zynergy Blade Reader™. With over 60 years of combined experience in the machine vision and automatic identification business, Zynergy Solutions' staff of application engineers are experts in the field of direct part mark reading and identification applications. Service and training programs can be quoted on an application basis and are recommended for customers who are new to the field of direct part mark reading. Be sure to ask your Zynergy Solutions contact for more information.

Full-Service Turnkey Supplier

Zynergy Solutions is a full-service turnkey supplier of automated inspection, identification and motion solutions designed for the Aerospace, Consumer Products, Medical Device and Pharmaceutical industries. Zynergy Solutions is headquartered in Rochester, NY with branch offices located in Boston, MA and Toronto, Ontario, Canada.



SPECIFICATIONS	
Image:	Sensor – 640 x 480 progressive scan CCD
Lighting:	Red LED
Communications:	1 RS-232C port; 1 Ethernet port, 10/100 BaseT, TCP/IP protocol. Supports Ethernet I/P and Modbus/TCP. Supports DHCP (factory default), or static IP address.
AC Power Supply (120V)	85 to 264 VAC 1 Amp at 85 VAC
Mechanical:	Dimensions – 272mm x 160mm x 91mm (L x H x W)
Material:	Fiberglass

Zynergy Solutions is a proud member of the Zeller Corporation family of companies, a high-technology, value-add provider of industrial automation and controls solutions.

For more information regarding Zynergy Solutions and any of our products and solutions, please visit our web site at www.zynsolutions.com, or contact us directly at 585.254.4937.



Zeller Corporation

Zeller Electric
Zynergy Solutions
VSG Enviromation

RC Controls
A & D Devices

Zynergy Solutions

800 Emerson Street
Rochester, NY 14613-1804

www.zynsolutions.com
585.254.4937 :T
585.254.4115 :F

Version 071505

© 2005 Zynergy Solutions